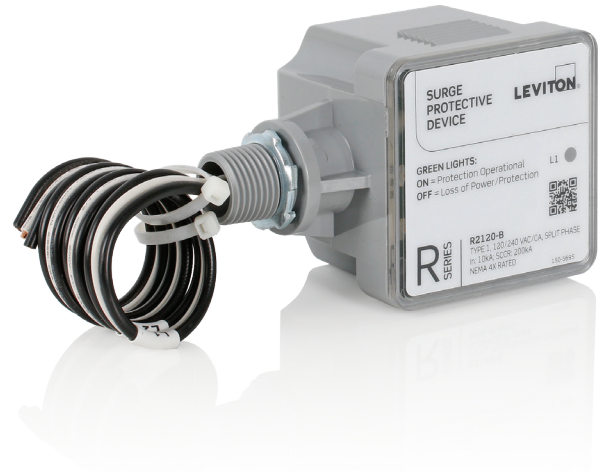


# R Series

## Surge Protective Device

Designed for **RESIDENTIAL APPLICATIONS**, the R Series is compact in size and easy to install.



### Features

- Maximum Surge Current Rating  
18kA per Mode, 36kA per Phase
- UL 1449 Listed
- 10kA Nominal Discharge Current Rating ( $I_n$ )
- 200kA SCCR
- NEMA 4X

### Product Specifications

#### General Specifications

Maximum Surge Current Rating	18kA per Mode, 36kA per Phase
UL 1449 Type Designation	Type 1
UL 1449 Nominal Discharge Current Rating ( $I_n$ )	10kA
UL 1449 Short Circuit Current Rating (SCCR)	200kA

#### Design Specifications

Custom MOV design for High Energy Handling in IEEE Category C locations
Thermally Protected MOVs
External Parallel Connected for Mounting next to Electrical Gear
Two-mode protection (L1-N, L2-N)

#### Diagnostic & Status Monitoring Specifications

LED Protection Status Monitoring
----------------------------------

#### Enclosure

Polycarbonate
NEMA 4X
1/2 inch NPT Side Mount Nipple

#### Filtering

NO
----

#### Physical Specifications

Humidity Range	0-95% non-condensing
Operating Frequency	50-60Hz
Operating Temperature	-31°F (-35°C) to 185°F (+85°C)
Typical Connection	#14 AWG Type TEW

#### UL 1449 Performance Data

System Voltage	Voltage Protection Rating (VPR)		Maximum Continuous Operating Voltage (MCOV)
	L-N	L-L	
120/240 VAC/CA SPLIT PHASE	700V	1200V	180V/360V*

\*Second voltage refers to L-L rating

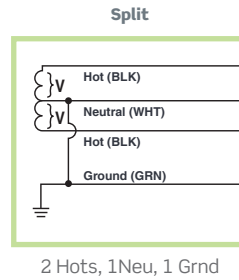
### Standards Compliance & Certifications

UL 1449 5th Edition: 2021, cULus, (UL File: VZCA.E317603), UL 96A Compliant, ANSI/IEEE C62.41.1-2002, C62.41.2-2002, C62.45-2002, NEC Article 285  
ISO 9001:2014 Quality Management System, ISO 17025:2007 Laboratory Certification (UL DAP Program) Compliance with RoHS, REACH & California Prop 65  
100% Quality Tested prior to shipping, Country of Origin: Greece

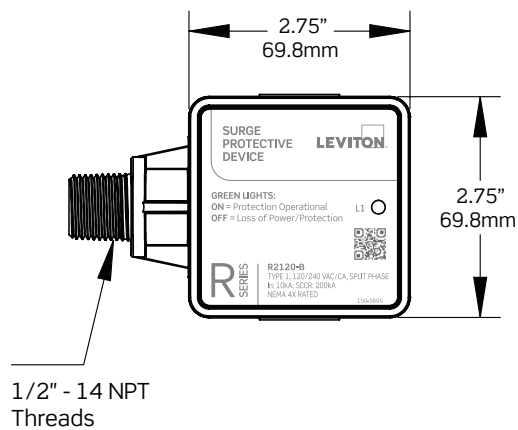
## Ordering Information

R2120-B 120/240 VAC/CA, SPLIT PHASE

## Wiring Configurations

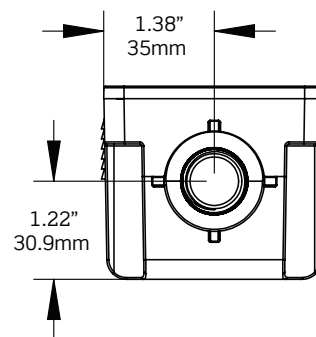
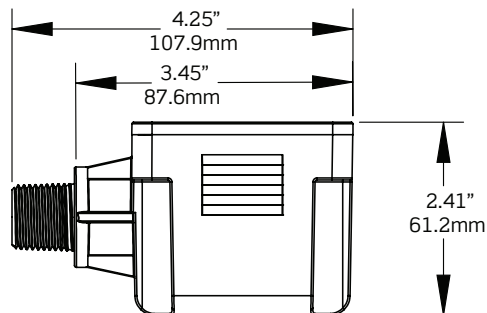


## Architectural Drawings (Dimensions)



### Size and Mechanical Specifications

Dimensions	4.25" x 2.41" x 2.75"
Enclosure Type	Polycarbonate NEMA 4X
Installation Type	Indoor / Outdoor



Visit our Website at:  
[www.leviton.com/surge](http://www.leviton.com/surge)  
 email: [commercial@leviton.com](mailto:commercial@leviton.com)

Q-1481

Leviton Manufacturing Co., Inc.  
 201 N Service Rd, Melville, NY 11747  
 Telephone: 1-800-323-8920 • FAX: 1-800-832-9538  
 Tech Line: 1-800-824-3005 (M-F 8AM-10PM; Sat 9AM-7PM; Sun 9AM-5PM)

© 2023 Leviton Manufacturing Co., Inc. All rights reserved.

110623

