

# GreenMAX® DRC Power Supply



## PRODUCT DESCRIPTION

The GreenMAX® DRC Power Supply provides power to the LumaCAN network in a GreenMAX DRC Room Control System. Use it to add power to the network where power is needed.

## APPLICATIONS

- Power LumaCAN devices in a GreenMAX DRC system

## USE WITH THESE LEVITON SYSTEMS

- GreenMAX DRC
- Sapphire
- GreenMAX Relay Panels

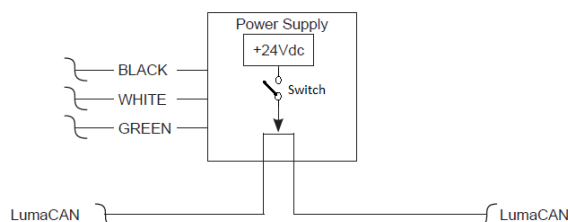
## FEATURES

- Connects via the LumaCAN network using RJ45 connectors and CAT6 wiring
- UL2043 Plenum rated—for use in Chicago Plenum applications—see technical article

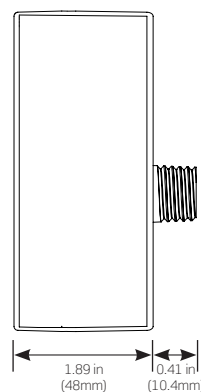
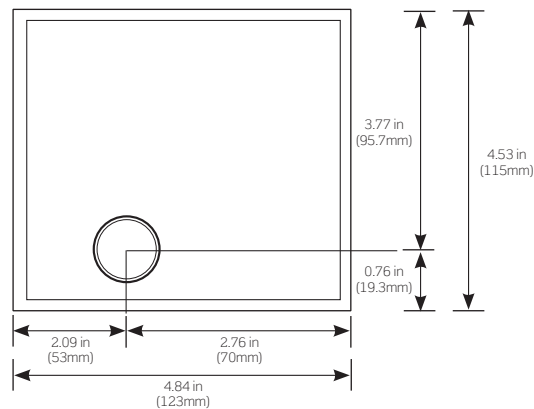
## INSTALL NOTES

- Installs as 4" square electrical box cover or via 1/2" nipple
- When Class 2 in conduit is required, use 4" square extension ring and blank cover on low voltage side
- May be field-painted to match surroundings (requires 4S blank cover to protect Class 2 side)

## WIRING DIAGRAM



## DIMENSIONS



## SPECIFICATIONS

ELECTRICAL	
Input Voltage	120-277VAC, 50/60 Hz
Input Power	Max: 17.5W @ 120V; 16.5W @ 277V Standby: 0.3W @ 120V; 0.45W @ 277V
CONNECTIVITY	
LumaCAN Data	Pass-through RF-45 connectors
LumaCAN Power	500mA, 24VDC
ENVIRONMENTAL	
IP Rating	IP30
Operating Temperature	23° to 122°F (-5° to 50°C)
Storage Temperature	4° to 185°F (-20° to 85°C)
Ambient Humidity	0-90% non-condensing
OTHER	
Listings	UL, cUL (File # E148771), plenum rated (UL2043)
Warranty	Limited 5-year

## ORDERING INFORMATION

CAT. NO.	DESCRIPTION
DRC00-0D0	GreenMAX DRC Power Supply, 120-277VAC, 500mA Max Power Output

GreenMAX® DRC Power Supply

### Leviton Manufacturing Co., Inc. Lighting & Controls

20497 SW Teton Avenue, Tualatin, OR 97062 **tel** 800-736-6682 **fax** 503-404-5594 **tech line** (6:00AM-4:00PM PT Mon-Fri) 800-959-6004

### Leviton Manufacturing Co., Inc. Global Headquarters

201 North Service Road, Melville, NY 11747 **tel** 800-323-8920 **fax** 800-832-9538 **tech line** (8:30AM-7:30PM ET Monday-Friday) 800-824-3005

**Visit our Website at: [www.leviton.com/greenmaxdrc](http://www.leviton.com/greenmaxdrc)**

©2020 Leviton Manufacturing Co., Inc. All rights reserved. Subject to change without notice.

LES-G-10434/C20-cds